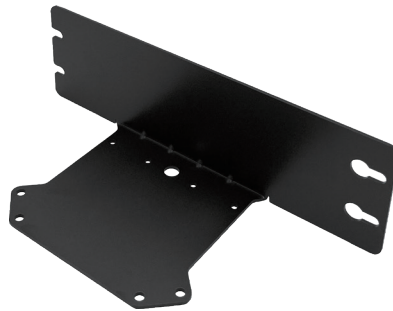


SIDE-DX

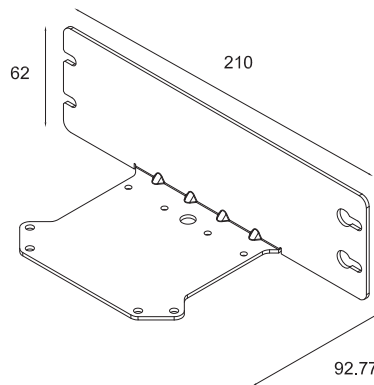
DX Series Side Mount Kit



Specifications

Mounting Method	• Side Mount
Dimension (W x D x H)	• 210 x 92.77 x 62 mm
Weight	• 0.32 kg
Material	• SECC

Dimensions



Unit: mm

Ordering Information

Available Models

Model No.	Description
SIDE-DX	DX Series Side Mount Kit

Package Checklist

• Side Mount Bracket x1

• Screw Pack x1

Compatible List

Model No.	SIDE-DX
DX Series	V

V : Compatible